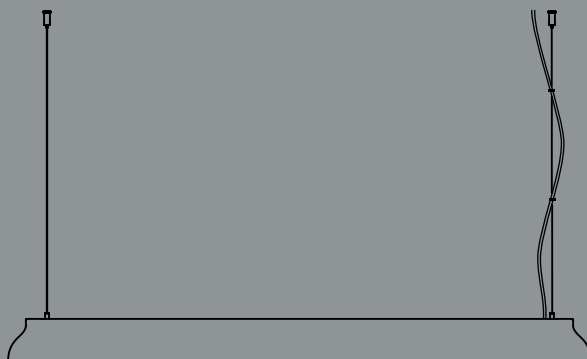


- INSTRUCTION MANUAL -

# PC LINEAR



DESIGN BY PIERRE CHARPIN

# HAY

Pierre Charpin's PC Linear is the latest member to join the family of PC lamps. The new design shares the same simple and elegant profile that is present in the rest of the family. The PC Linear lamp's shade is pressed from a single aluminium component with a wet sprayed finish. The linear design is ideal for suspending over meeting or dining tables, as well as for illuminating exhibition shelves in commercial spaces. The PC Linear is available in black or white and is suitable for both contract and domestic use.

TECHNICAL DATA

- / This product is supplied with an integrated LED module (2800K warm white, 2000 lumens). The expected lifespan of the LED modules is 25,000 hours. When the light source reaches its end of life, the whole luminaire should be replaced.
- / The included LED driver features leading and trailing edge dimming functions. HAY recommends that you contact a qualified electrician to find a compatible dimmer.

ATTENTION

In some countries, electrical installation must be carried out by authorised electricians/contractors; please check with your local authority for guidance. The product must not be modified in any way. HAY accepts no responsibility for any products that have been modified or tampered with. This lamp is designed for indoor use only. HAY accepts no responsibility for any damage due to the use of incorrect light sources.

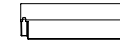
CARE AND MAINTENANCE

The product can be cleaned with a soft damp cloth and mild detergent. Do not use alcohol or any other solvents to clean the product. The external flexible cable or cord of this luminaire cannot be replaced; if the cord is damaged, the luminaire should be destroyed. Ensure that the power supply has been turned OFF before cleaning the product.

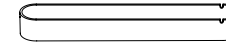
Mounting bracket



LED driver



Ceiling cap



Suspension mount



Suspension wire



Cable

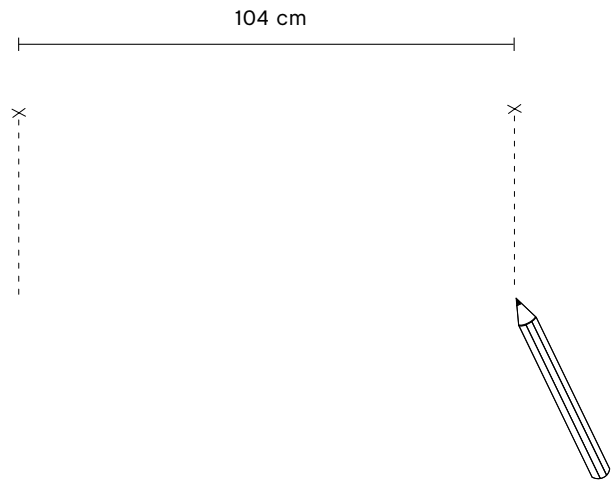


Lamp



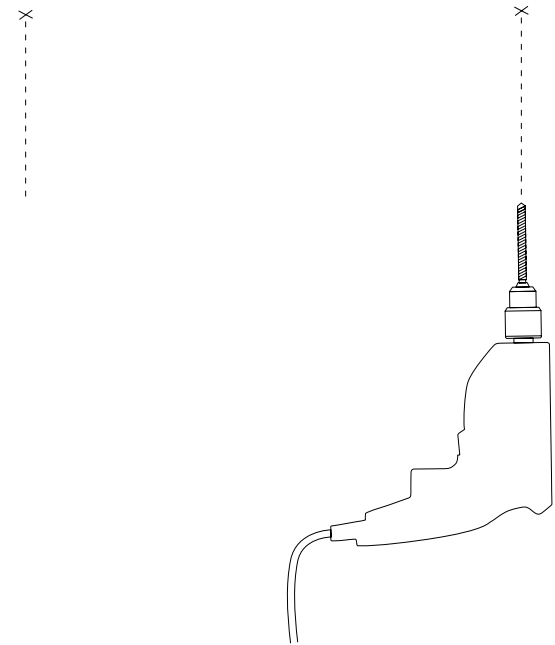
1.

Mark the position of the holes to be drilled (104 cm apart) on the ceiling.



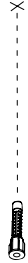
2.

Drill the holes using the correct type of drill for the ceiling you are drilling into.



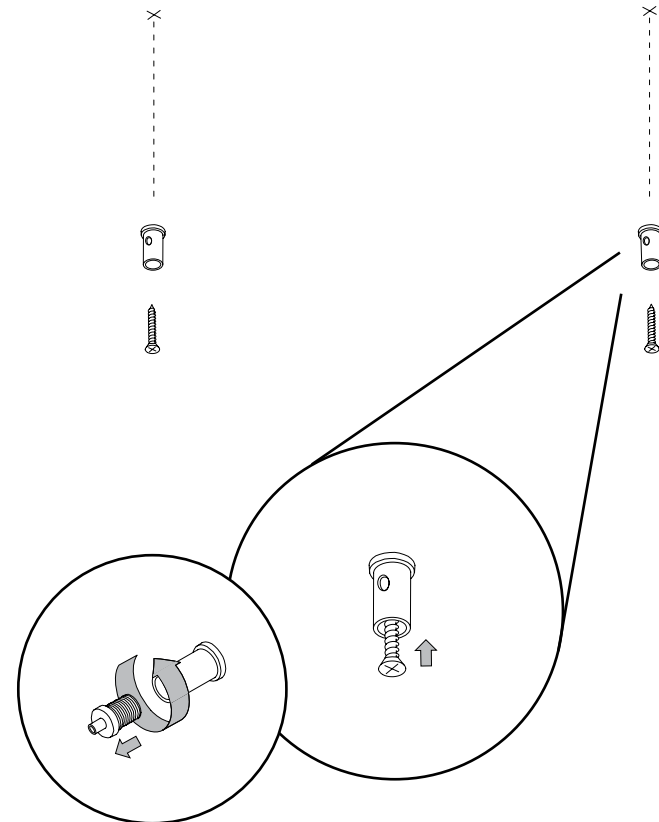
3.

Insert the wall plugs. Ensure you use the correct type of wall plugs for the type of ceiling.



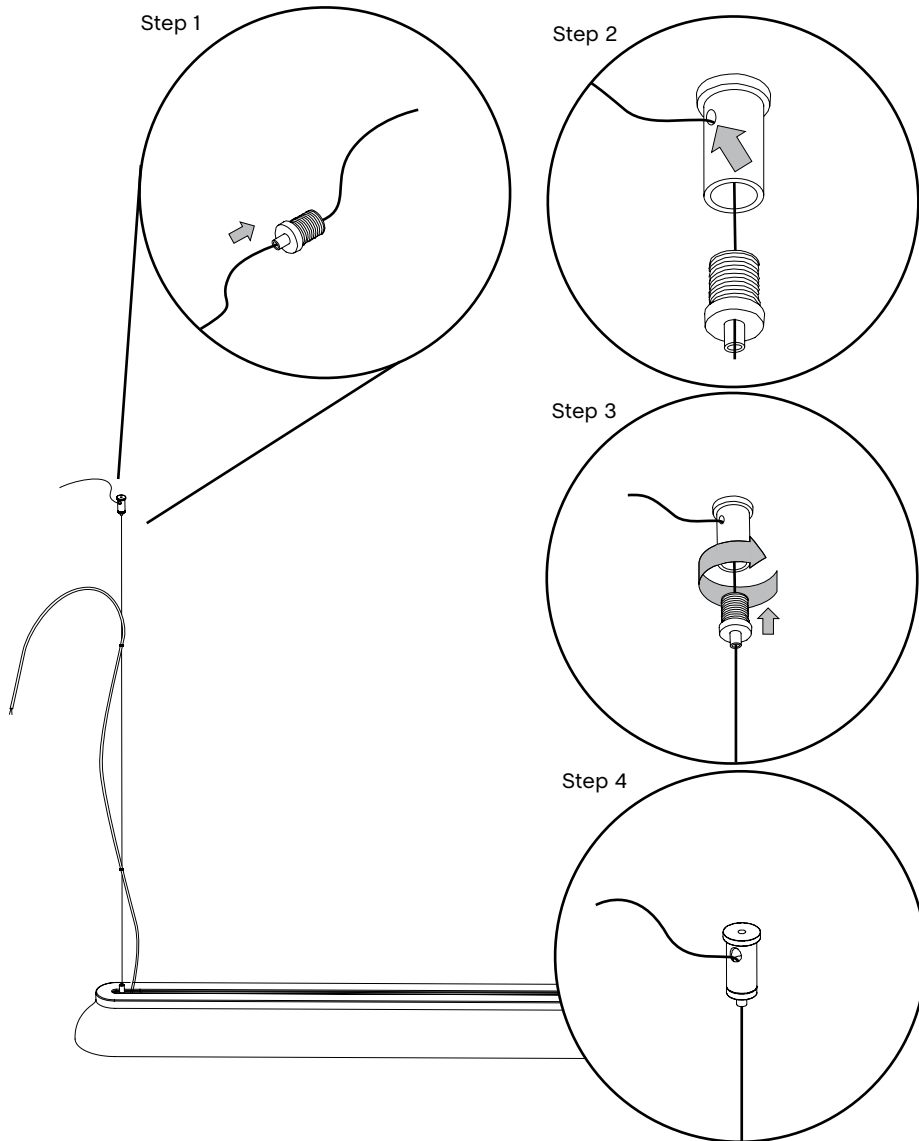
4.

Fix the suspension mount to the ceiling using the provided screws. Disassemble the suspension mount as shown below and insert each screw into the suspension mount, screwing them firmly into place.



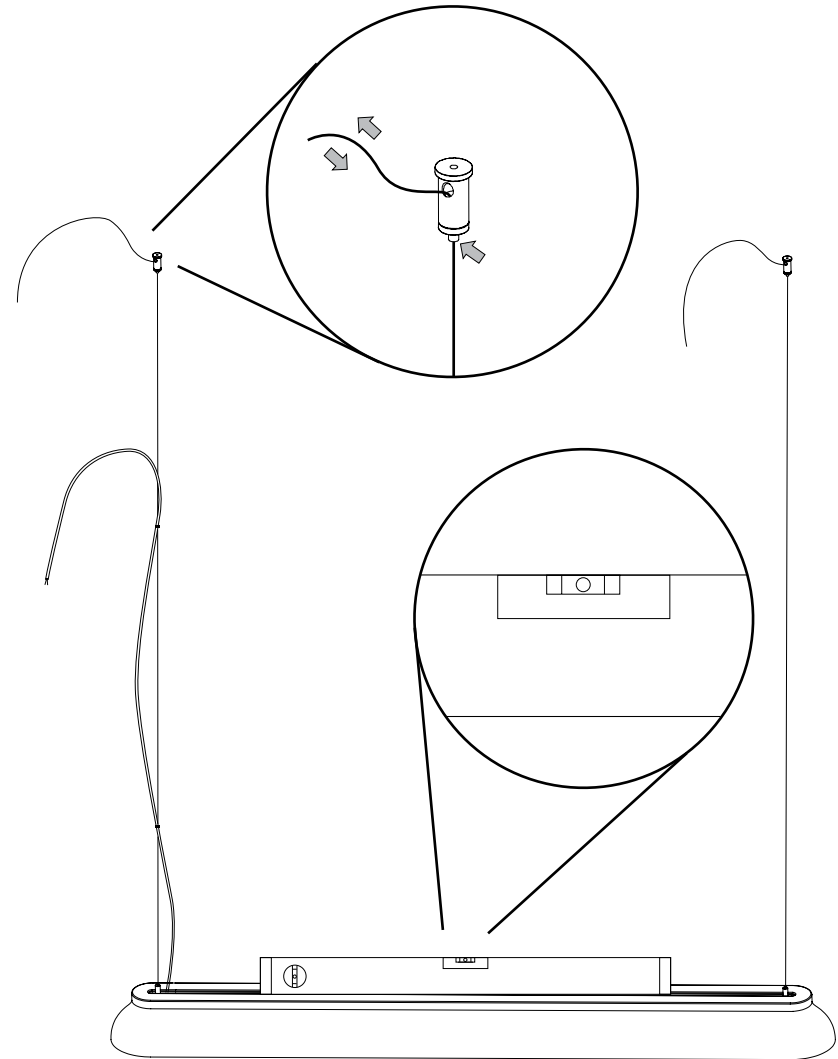
5.

Once the suspension mounts are firmly in place, the lamp is ready to be mounted. Start by pulling the suspension wire through the disassembled suspension mount (step 1). Guide the wire through the fixed suspension mount and through the exit hole on the side (step 2). Screw the disassembled suspension mount together with the part that is fixed to the ceiling (step 3). The suspension wire is now safely in place (step 4). Repeat on the other side.



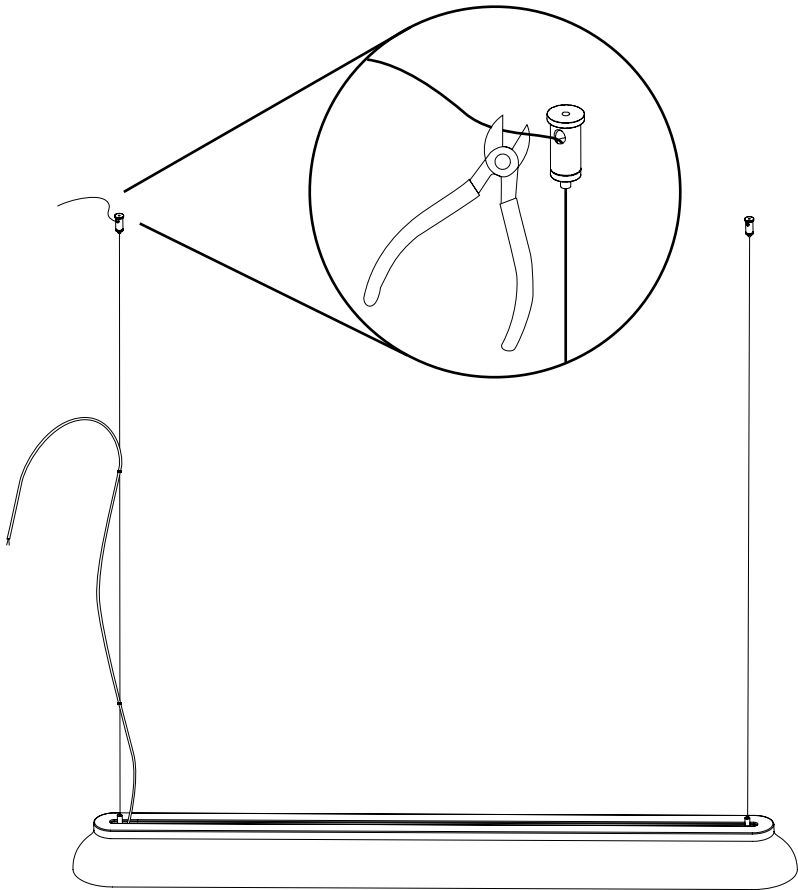
6.

Level the lamp by adjusting the wire. Pull the wire to shorten it or press the tab of the suspension mount to release it. It is recommended that two persons perform this step.



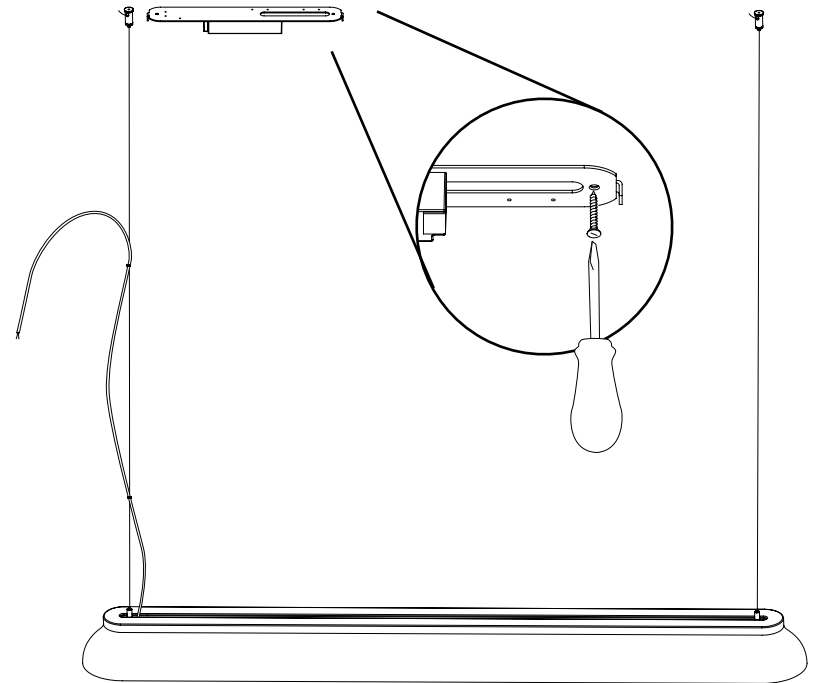
7.

Once the lamp is in place, the excess wire trailing from the exit hole can be cut. Note that once the wire has been cut, the lamp can no longer be lowered.



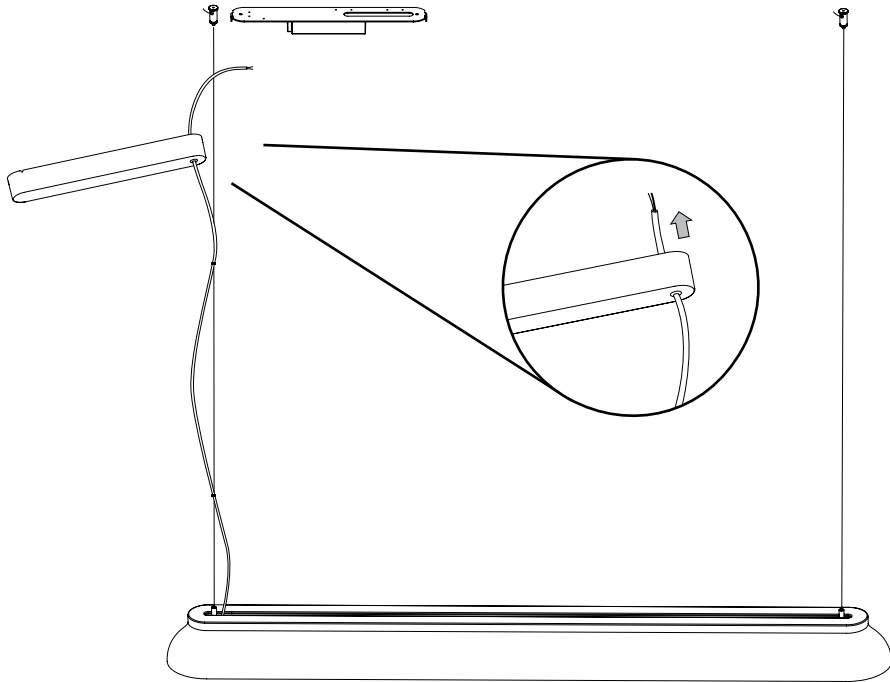
8.

Drill holes using the correct type of drill for the ceiling you are drilling into. Fix the bracket with the attached driver to the ceiling using the provided screws.



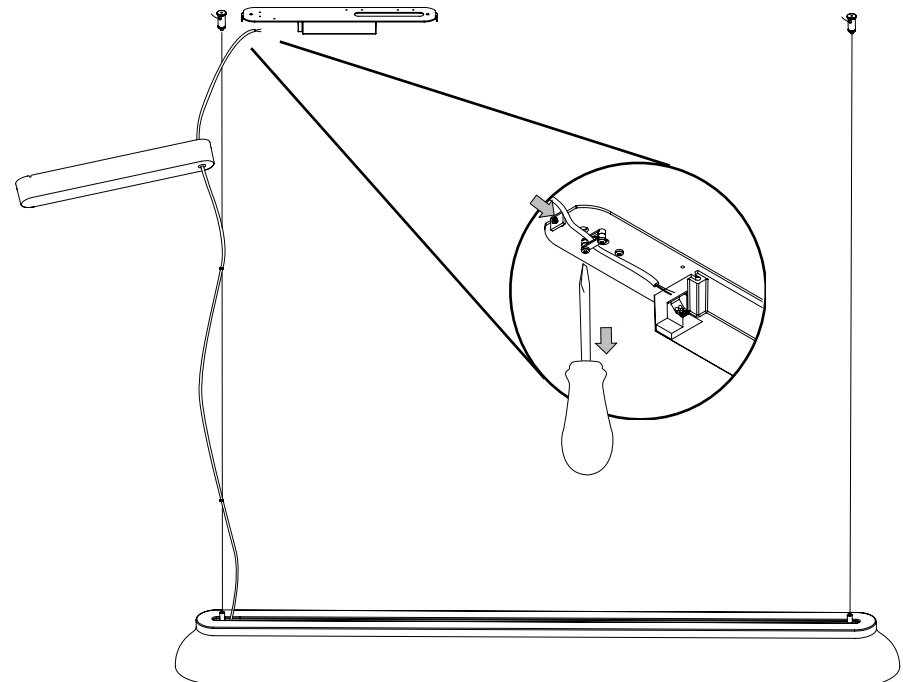
9.

Pull the cable through the ceiling cap before connecting the cable to the driver.



10.

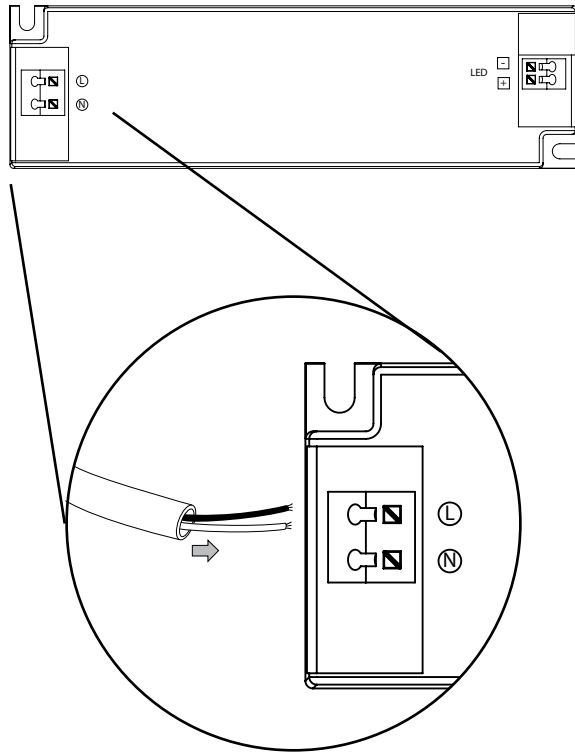
To secure the cable to the mounting bracket, start by loosening the screws on the cable clamps that are mounted on the mounting bracket, and pass the cable through. Once the cable is in place, tighten the screws again.





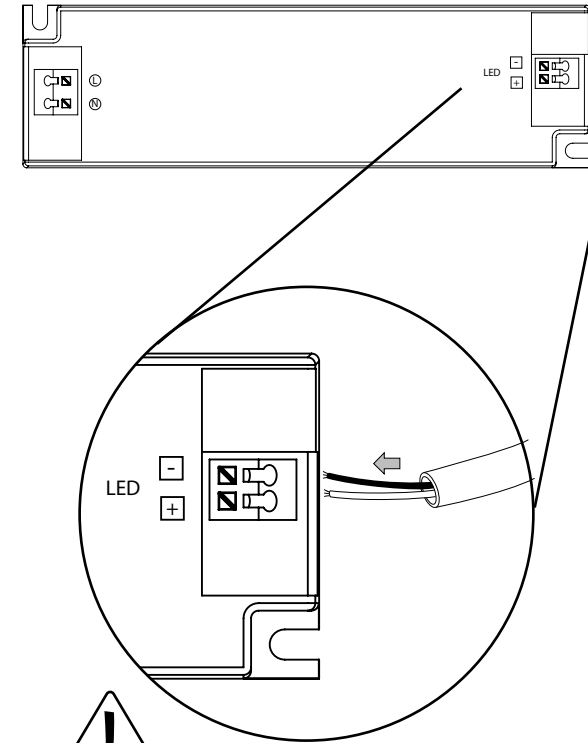
11.

Wiring to mains power: Taking one wire at a time, insert the correct wires into the corresponding slots on the terminal block, while pressing down on the small button next to them. The live mains wire should be inserted into the slot marked L and the neutral mains wire into the slot marked N. If you are unsure of the polarity of the wires, then we recommend you contact a certified electrician.



12.

Wiring to lamp: Insert the red cable (+) into the slot on the red terminal block (+). Insert the black cable (-) into the slot on the black terminal block (-). It is important that the wires are correctly connected. HAY accepts no responsibility for any damage due to incorrect wiring of the lamp.

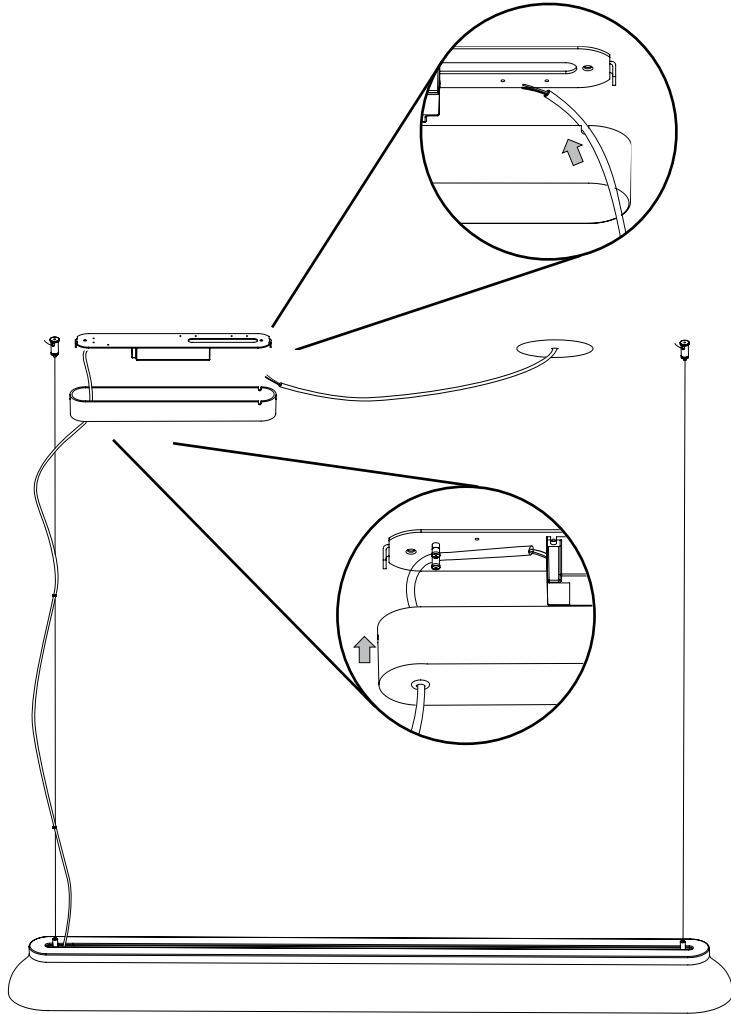


**ATTENTION**

Black cable (-) in black terminal block (-)  
Red cable (+) in red terminal block (+)

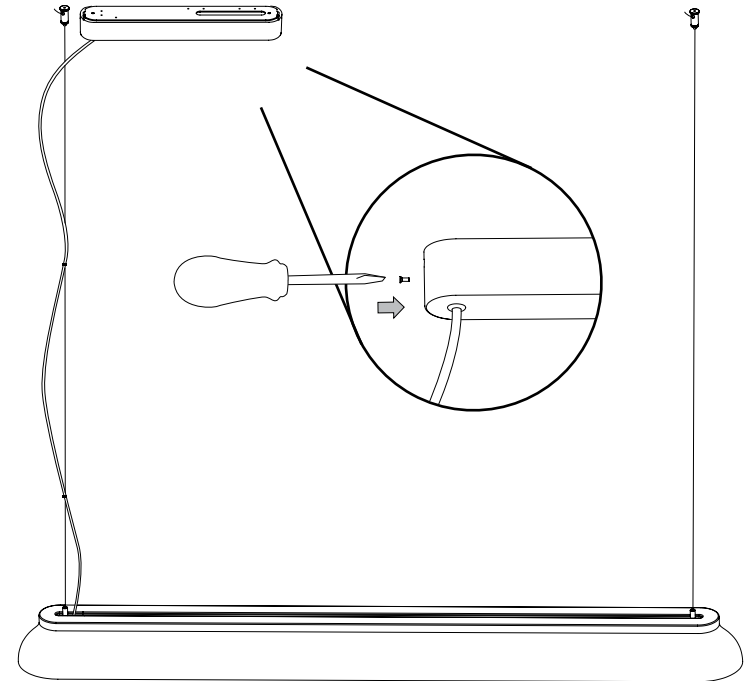
13.

Place the ceiling canopy over the LED driver and mounting bracket. There are cable exit holes for the mains wires on either side of the ceiling cap.



14.

Fix the ceiling cap to the bracket using the provided screws.



Havnen 1 8700 Horsens Denmark  
+45 4282 0282 / hay@hay.com

24/03/20

**HAY**